



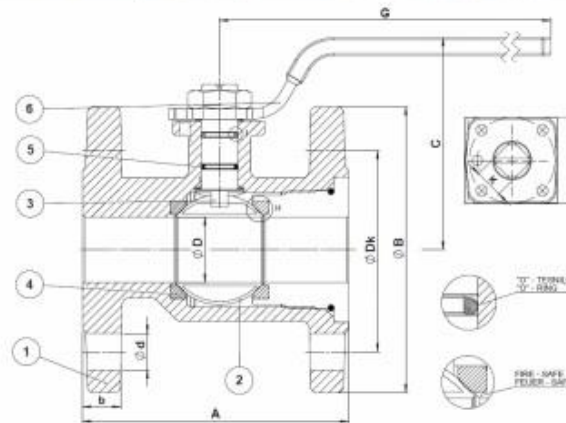
ZV5550 Ductile Iron Ball Valve – Flanged PN16 – Direct Mount

Flanged PN16, Ductile Iron 2 Piece Body, Stainless Steel Ball & Stem, PTFE Seats, Lever Operated, DIN 3202 F4 Face to Face 1" to 6", F5 8"



Pressure / Temperature		
Pressure	PN40 1" to 2"	PN16 2½" to 8"
Temperature	-20°C to 100°C	

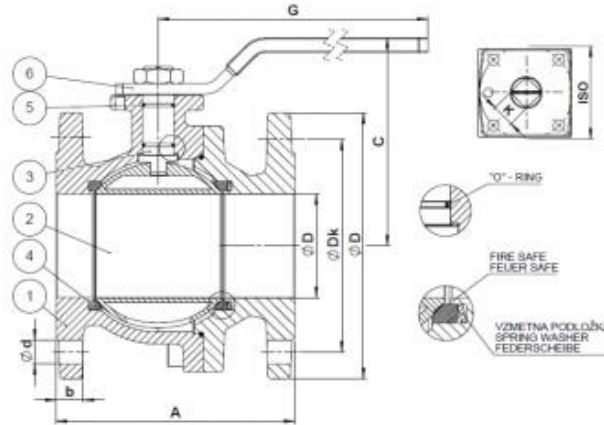
Material Specifications			
1. Body	GGG40 Ductile Iron	4. Seats	PTFE
2. Ball	A420 Stainless Steel	5. O-ring	NBR
3. Stem	A420 Stainless Steel	6. Handle	S235JR Carbon Steel



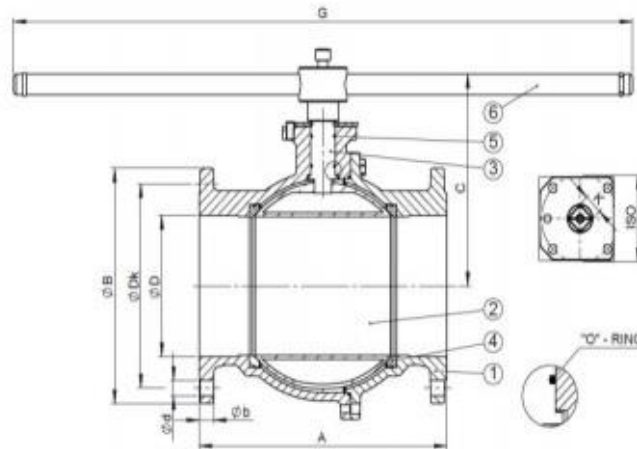
1" to 2" Dimensions												
DN	A	B	C	D	G	b	Dk	d	no	ISO	K x h	Kg
1"	125	115	76	25	153	18	85	14	4	F03	11 x 13.5	3.3
1¼"	130	140	92	31	237	18	100	18	4	F04	14 x 18	5.4
1½"	140	150	97	39	276	18	110	18	4	F05	14 x 18	6.7
2"	150	165	105	49	276	20	125	18	4	F05	14 x 18	8.9



ZV5550 Ductile Iron Ball Valve – Flanged PN16 – Direct Mount



2½" to 6" Dimensions												
DN	LA	B	C	D	G	b	Dk	d	no	ISO	K x h	Kg
2½"	170	185	124	63	340	18	145	18	4	F07	17 x 23	14.7
3"	180	200	133	76	340	20	160	18	8	F07	17 x 23	20.1
4"	190	220	153	100	340	20	180	18	8	F07	17 x 23	26.0
5"	200	250	183	125	541	22	210	18	8	F10	22 x 27	30.0
6"	210	285	203	150	541	22	240	22	8	F10	22 x 27	38.0



8" Dimensions												
DN	A	B	C	D	G	b	Dk	d	no	ISO	K x h	Kg
8"	400	340	316	200	1000	24	295	22	12	F12	27 x 31	85.0